



# INSTALLATION, OPERATION & MAINTENANCE INSTRUCTIONS

1455 Kleppe Lane ♦ Sparks, NV 89431-6467 ♦ (775) 359-4712 ♦ Fax (775) 359-7424  
E-mail: [haws@hawsc.com](mailto:haws@hawsc.com) ♦ website: [www.hawsc.com](http://www.hawsc.com)

No 2080056(15)

## Model 7361-7461 Pedestal Eye/Face Wash

**NOTE TO INSTALLER:** Please leave this information with the Maintenance Department.

### LIMITED WARRANTY

HAWS warrants that this specific product is guaranteed against defective material or poor workmanship for a period of **one year from date of shipment**. HAWS liability under this warranty shall be discharged by furnishing without charge F.O.B. HAWS Factory any goods, or part thereof, which shall appear to the Company upon inspection to be of defective material or not of first class workmanship, provided that claim is made in writing to Haws within a reasonable period after receipt of the product. Where claims for defects are made, the defective part or parts shall be delivered to the Company, prepaid, for inspection. HAWS will not be liable for the cost of repairs, alterations or replacements, or for any expense connected therewith made by the owner or his agents, except upon written authority from HAWS, Sparks, Nevada. HAWS will not be liable for any damages caused by defective materials or poor workmanship, except for replacements, as provided above. Buyer agrees that Haws has made no other warranties either expressed or implied in addition to those above stated, except that of title with respect to any of the products or equipment sold hereunder and that HAWS shall not be liable for general, special, or consequential damages claimed to arise under the contract of sale.

The emergency equipment manufactured by HAWS is warranted to function if installation and maintenance instructions provided are adhered to. The units also must be used for the purpose for which they were intended. This product is intended to supplement first-aid treatment. Due to widely varying conditions, Haws cannot guarantee that the use of this emergency equipment will prevent serious injury or the aggravation of existing or prior injuries.

**NO OTHER WARRANTIES EXPRESSED OR IMPLIED ARE AUTHORIZED, PROVIDED OR GIVEN BY HAWS.**

**SHOULD YOU EXPERIENCE DIFFICULTY WITH THE INSTALLATION OF THIS MODEL PLEASE CALL:**

**TECHNICAL SUPPORT: 1-800-766-5612**

**FOR CUSTOMER SERVICE: 1-888-640-4297**

**LOCATION OF UNIT:** The Model 7361/7461 Eyewash should be installed in close proximity to potential accident areas. It should be clearly identified free from obstruction and easy to access.

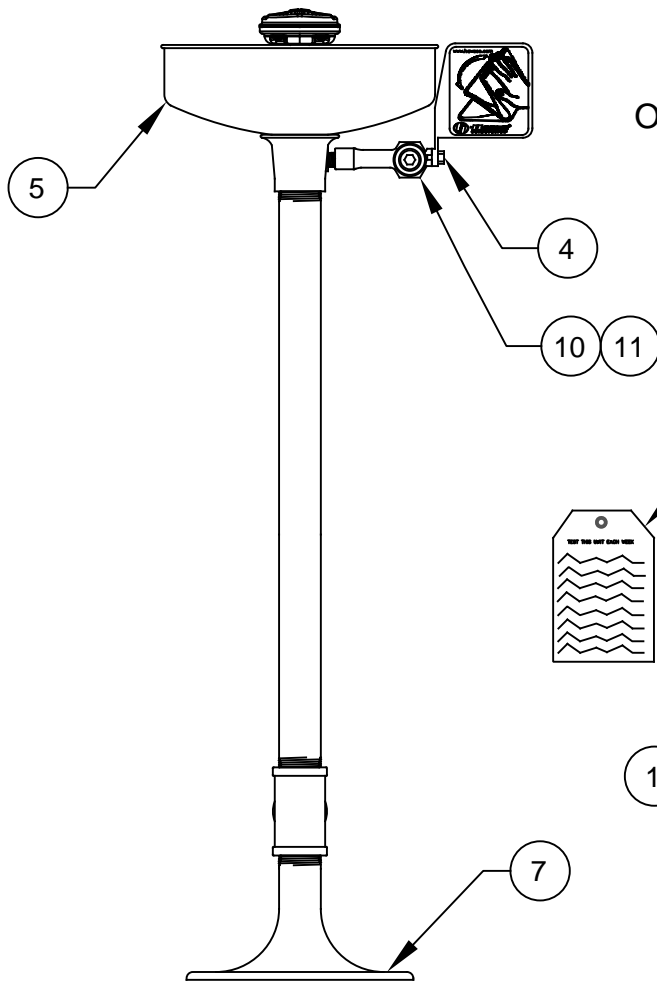
**SUPPLY LINE:** The minimum recommended line size is 1/2" IPS with 30-90 PSI (2-6 ATM) pressure. Where sediment or mineral content is a problem, an inlet filter is recommended.

**PLUMBING CONNECTIONS:** Inlet supply is female 1/2" IPS. Waste outlet is 1-1/4" IPS.

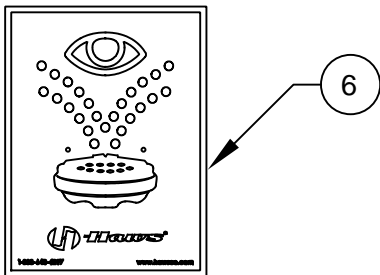
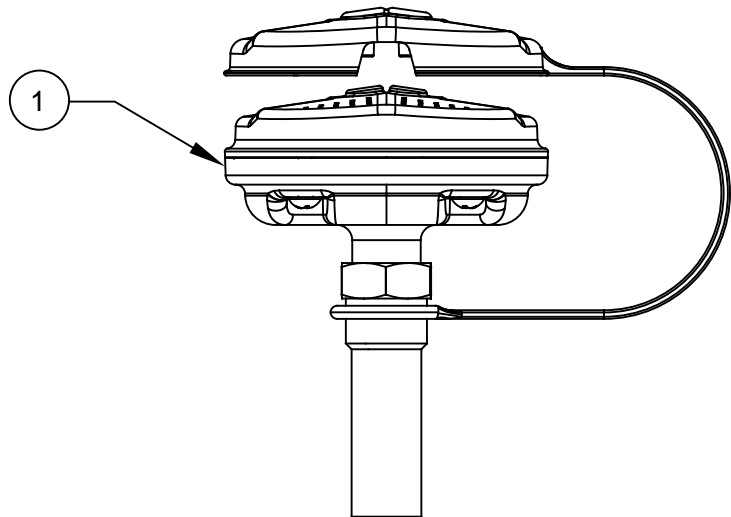
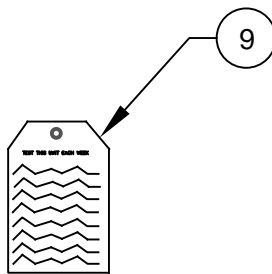
<b>TROUBLESHOOTING</b>	
<b>PROBLEM</b>	<b>REPAIR CHECKLIST</b>
1. No flow.	1. Check the main shut-off valve.
2. Insufficient water flow.	2. a. Verify minimum 30 psi (2ATM) flowing supply line pressure.  b. Probable clogging of flow control due to inadequate line flushing. Unscrew eye/face wash head and remove the four screws to disassemble the head. Clean flow control and reassemble head. See SP65 Installation Drawing for details.  c. Remove cap located on L-Strainer using a 3/8" allen wrench to access and clean filter screen.
3. Eyewash or face wash streams do not meet desired eye level or are not balanced.	3. Possible blocked flow control or internal screens, see above solution. Possible non-leveled eyewash assembly.
4. Water does not drain properly.	4. Check the main waste line of your building to see if it does handle the capacity required for the entire drainage system.

For more information about Haws products, see our website: [www.hawesco.com](http://www.hawesco.com)

ITEM	DESCRIPTION	PART NO.
1	EYE/FACE WASH ASSEMBLY	SP65
2	--	--
3	--	--
4	VALVE ASSEMBLY	SP229
5	BOWL	SP90
6	EYEWASH SIGN	SP175
7	FLOOR FLANGE	SP75
8	FOOT TREADLE (NOT SHOWN)	SP220
9	TEST TAG	SP170
10	L-STRAINER	SP509
11	STRAINER REPAIR KIT	VRKEWSTR



OPTIONAL




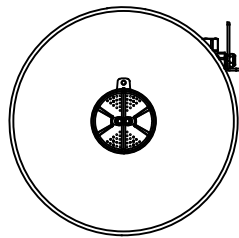
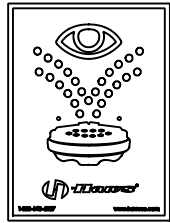
### SP65 EYE/FACE WASH ASSEMBLY

(INCLUDES EYE/FACE WASH HEAD (SHOWN) EYEWASH HEAD (NOT SHOWN), EYEWASH FLOW CONTROL (NOT SHOWN), DUST COVER (SHOWN))

## PARTS BREAKDOWN

WHEN ORDERING PARTS PLEASE SPECIFY MODEL NUMBER.

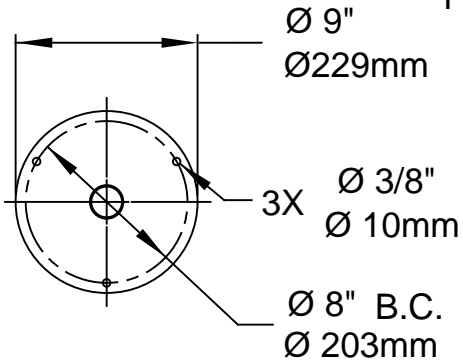
		<b>Haws</b> <sup>®</sup>		1455 KLEPPE LANE SPARKS, NEVADA 89431 (775) 359-4712 FAX (775) 359-7424 E-MAIL: HAWS@HAWSCO.COM WEBSITE: WWW.HAWSCO.COM	
				ECN NO. REVISED PER BY ECN: 5239 VWC	MODEL(S) 7361-7461
DRAWN CLF	DATE 02/24/93	CHKD VWC	REVISION 15		
APPROVED FV	DATE 11/23/17	SCALE: 1/8	DRAWING TYPE: PARTS BREAKDOWN	SIZE: A	SHEET 1 OF 1



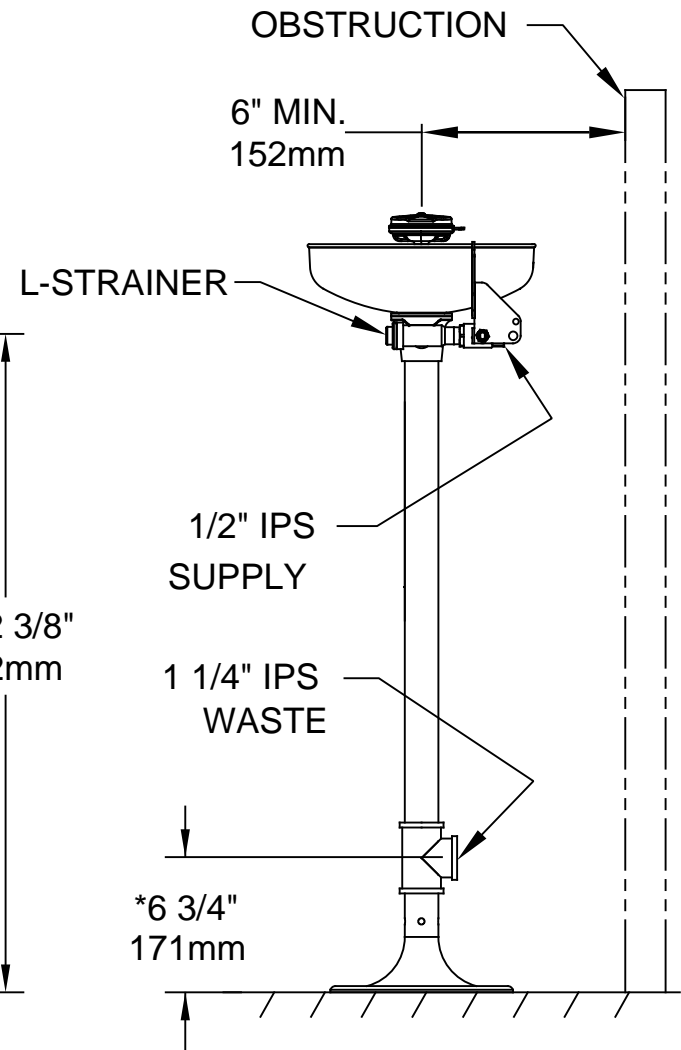
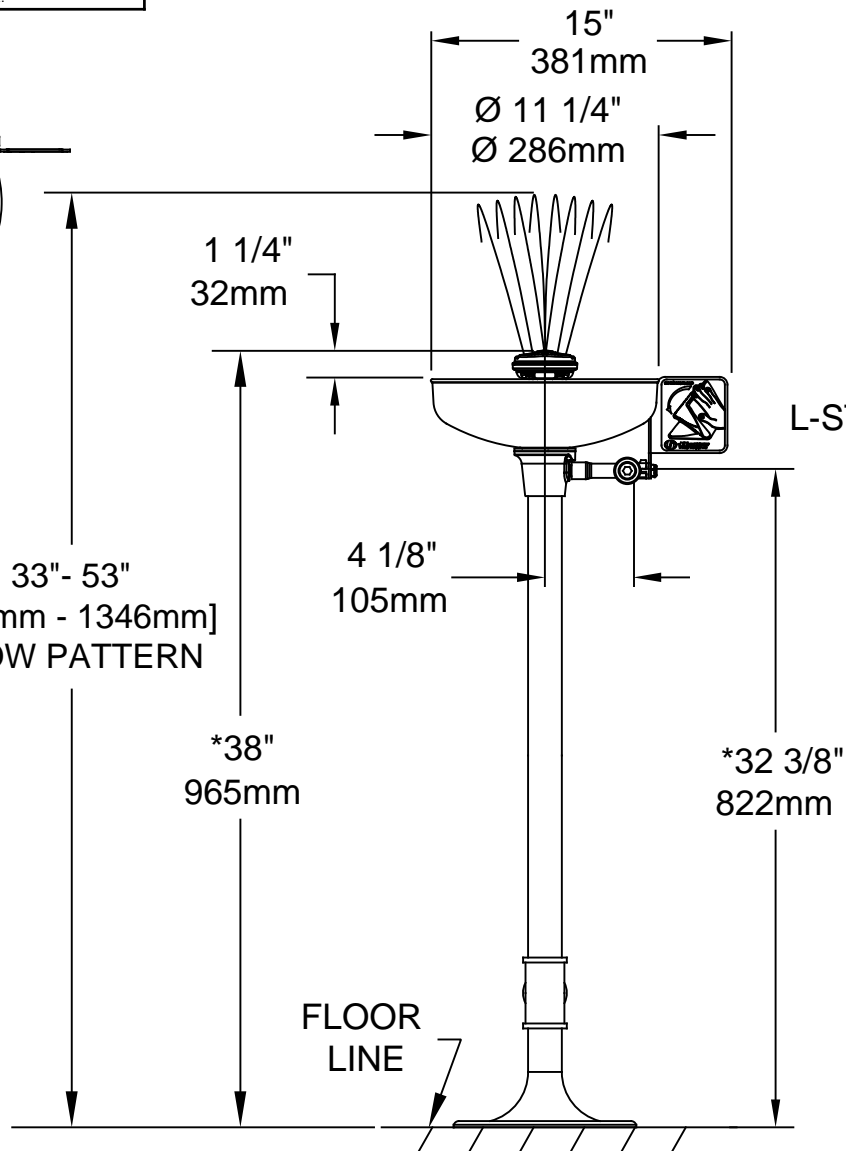
TOP VIEW

SIGN IS TO BE POSITIONED SUCH THAT IT IS VISIBLE WITHIN THE AREA SERVED BY THE EYEWASH

33" - 53"  
[838mm - 1346mm]  
FLOW PATTERN



MOUNTING DETAIL



NOTES:

1. WHEN INSTALLING THIS UNIT, LOCAL, STATE, OR FEDERAL CODES SHOULD BE ADHERED TO FOR INSTALLATION DIMENSIONS (LOCATIONS), WASTE AND SUPPLY REQUIREMENTS OTHER THAN SHOWN.
2. TO COMPLY WITH ANSI Z358.1-2014 FOR EMERGENCY EYEWASH OR EYE/FACE WASH: EYEWASH OR EYE/FACE WASH SHALL BE POSITIONED SUCH THAT FLUSHING FLUID PATTERN IS NOT LESS THAN 33" (838mm) AND NO GREATER THAN 53" (1346mm) FROM SURFACE ON WHICH USER STANDS; AND 6.0" (153mm) MINIMUM FROM WALL OR NEAREST OBSTRUCTION.
3. \* DIMENSIONS MAY VARY BY ±1/2" (13 mm).

			1455 KLEPPE LANE SPARKS, NEVADA 89431 (775) 359-4712 FAX (775) 359-7424 E-MAIL: HAWS@HAWS.CO.COM WEBSITE: WWW.HAWS.CO.COM		
ECN NO.:	REVISED PER:	BY:	MODEL(S)	PART NUMBER	
5239	ECN: 5239	VWC	7361/7461	0002080056.D	
DRAWN:	DATE:	CHK'D:		REVISION	
C.H.	02/91	VWC		15	
APPROVED:	DATE:	SCALE:	DRAWING TYPE:	INSTALLATION	SHEET 1 OF 1
FV	11/23/17	1/10			